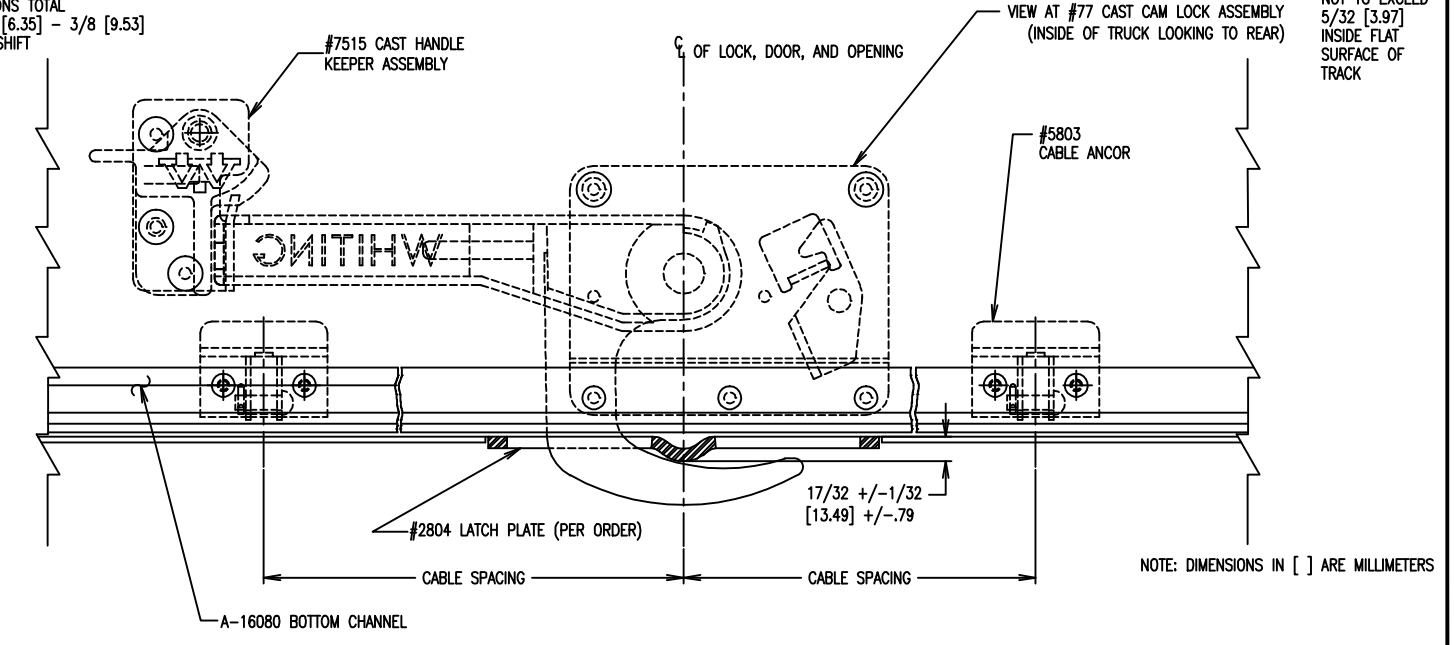
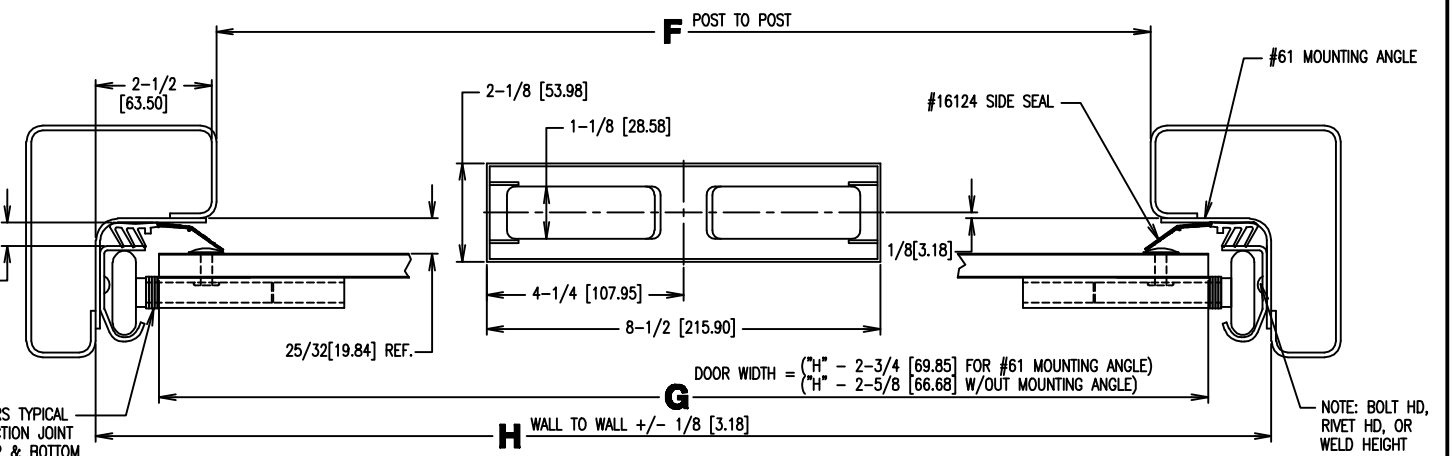


CURB SIDE

ROAD SIDE



TOLERANCES UNLESS OTHERWISE SPECIFIED ARE:
DECIMAL ±.010
FRACTION ±1/16
ANGLES ±1/2°

WHITING SEA-LOK DOORS
DOOR MANUFACTURING CORP.
GENERAL OFFICE: 113 CEDAR ST. AKRON, NY. 14001
DEVELOPER OF THE FIRST PRACTICAL ROLL-UP DOOR IN 1953

DATE: 5/31/06

SCALE: 1/2"=1"

DWG. NO.: D-1037-3

REV.

DATE	SYM	DESCRIPTION OF CHANGE	AUTH	DR
REVISIONS				