

NOTE: HORIZONTAL TRACK MUST BE MOUNTED IN LINE & PARALLEL WITH VERTICAL TRACK

TOP CLOSURE BRACKET SHOULD BE SO ADJUSTED THAT WHEN THE DOOR IS IN THE DOWN POSITION, THE TOP PANEL IS VERTICAL, THEN TIGHTEN LOCKING NUTS

WHEN CONSIDERING THE INSTALLATION OF A ROLL-UP DOOR, THE FOLLOWING PROCEDURE MUST BE FOLLOWED:

- CONSIDER THE EFFECTIVE HEADER HEIGHT, WHICH IS THE AMOUNT OF USABLE SPACE BETWEEN THE BOTTOM EDGE OF THE HEADER AND THE LOWEST OBSTRUCTION UNDER THE ROOF. MINIMUM EFFECTIVE HEADERS FOR DIFFERENT TRACK RADI ARE INDICATED. IT IS USUALLY DESIRABLE TO HAVE THE HORIZONTAL TRACK AS HIGH AS POSSIBLE. PICK THE TRACK WITH THE GREATEST RADIUS WHICH ALLOWS THE "B" DIMENSION TO FALL WITHIN THE DESIGNATED LIMITS AND AT THE SAME TIME OBSERVING MINIMUM DISTANCE BETWEEN THE TOP OF THE HORIZONTAL TRACK AND THE UNDERSIDE OF THE ROOF.

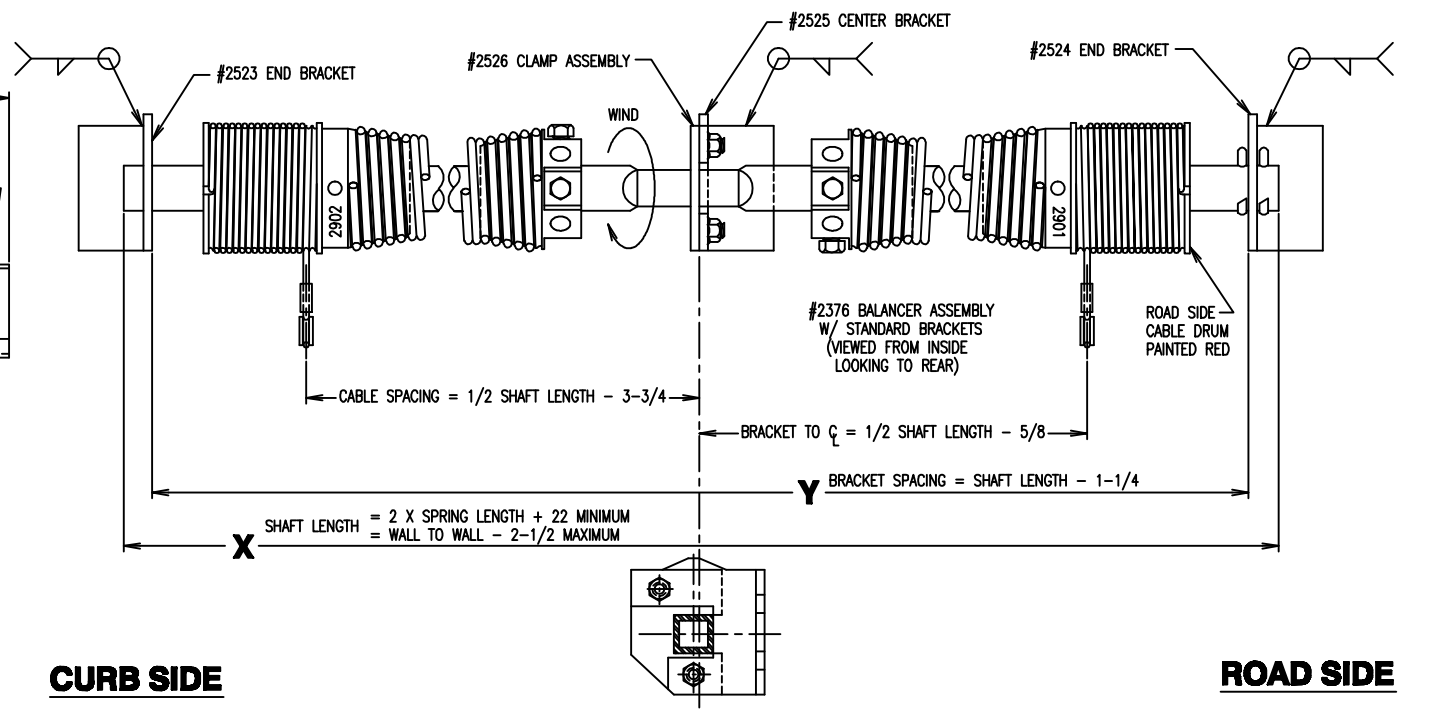
- NOTES:**
1. DIMENSIONS A, B, C, & F ARE REQUIRED
 2. MINIMUM HEADER HEIGHT IS 6-1/4 [158.75]
 3. LIMITS FOR "G": 8" RADIUS (G = 3-1/4" TO 4-1/4")
10" RADIUS (G = 4-1/2" TO 5-3/4")
 4. CHART PLACES TRACK AS HIGH AS POSSIBLE

HEADER WITHOUT DOOR HANG DOWN

2376 7176	9"	6"	10" 11-4/11-5	1336-1/-2	3"
COUNTER BALANCE	F	G	H	TOP CLOSURE BRACKET P/N	I
	EFFECTIVE HEADER	TRACK HEIGHT FROM HEADER	TRACK RADIUS P/N		TRACK TO CEILING

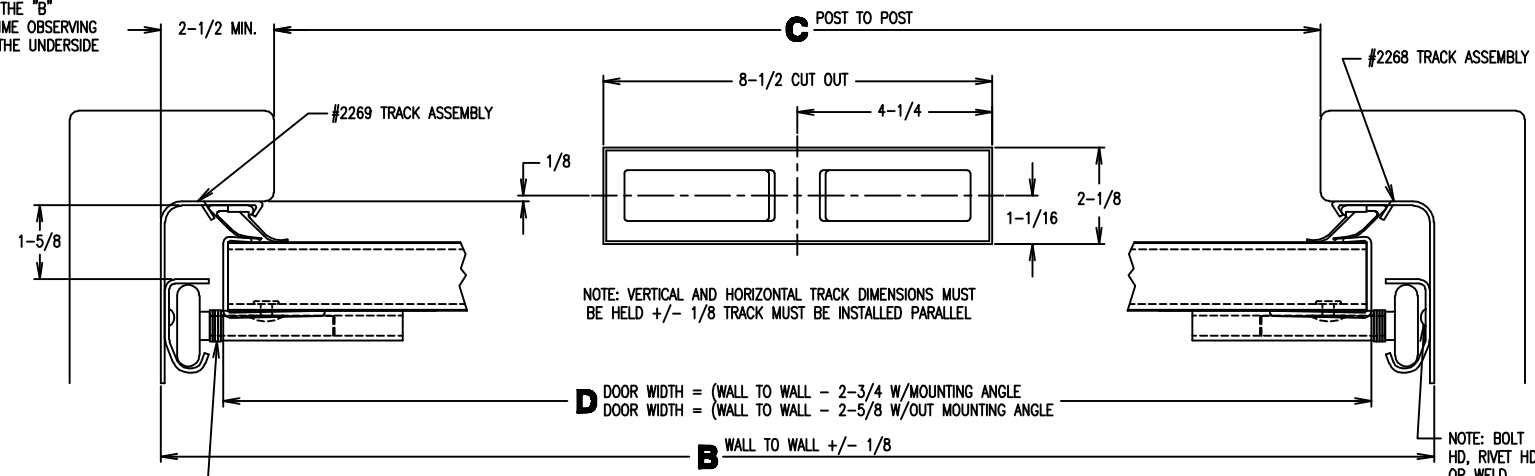
2376 OR 7176	8-3/4"	5-3/4"	10"	1336-1 1336-2 OPTIONAL 1336-5 SS 1336-6 SS	3"
	8-1/2"	5-1/2"			
7176	8-1/4"	5-1/4"	11-4	1336-3 1336-4	3"
	8"	5"	11-5		
2376	7-3/4"	4-3/4"	8"	OPTIONAL 1336-6 SS 1336-7 SS	3"
	7-1/2"	4-1/2"			
7176	7-1/4"	4-1/4"	11-2	1336-6 SS 1336-7 SS	3"
	7"	4"			
2376	6-3/4"	3-3/4"	11-2	1336-6 SS 1336-7 SS	3"
	6-1/2"	3-1/2"			
7176	6-1/4"	3-1/4"	11-3	1336-6 SS 1336-7 SS	3"
	6"	3"			

A	B	C	D	E	F	G	H	I	
SILL TO HEADER	WALL TO WALL	POST TO POST	DOOR WIDTH	VERTICAL TRACK	COUNTER BALANCE P/N	EFFECTIVE HEADER	TRACK HEIGHT FROM HEADER	TRACK RADIUS & P/N	TOP CLOSURE BRACKET P/N



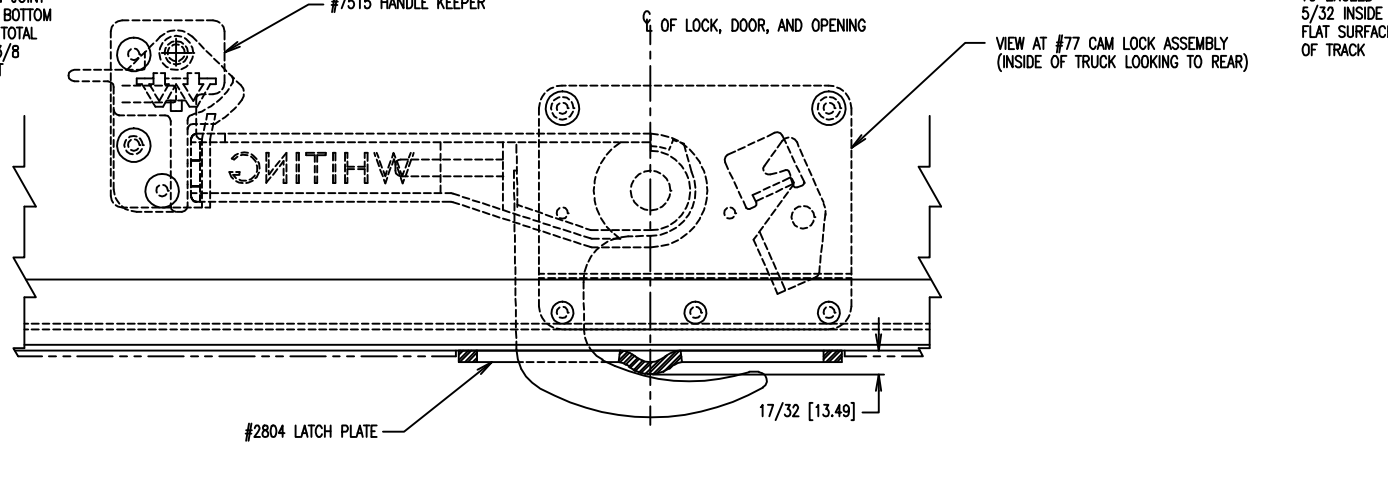
CURB SIDE

ROAD SIDE



3 WASHERS TYPICAL
FIRST SECTION JOINT
FROM TOP & BOTTOM
4 LOCATIONS TOTAL
FOR 1/4 - 3/8
OF SIDE SHIFT

#7515 HANDLE KEEPER



8/3/10	M	ADDED MINIMUM CEILING CLEARANCE 2-1/4	GSB	GSB
8/24/09	L	ADDED NO HANG DOWN INFORMATION	MJS	GSB
7/6/07	K	UPDATED INSTALLATION	MJS	GSB
11/26/02	J	REVISED & UPDATED PER CURRENT SPECIFICATIONS	MJS	DCW
DATE	SYM	DESCRIPTION OF CHANGE	AUTH	DR

TOLERANCES
UNLESS OTHERWISE
SPECIFIED ARE:
DECIMAL ±.010
FRACTION ±1/16
ANGLES ±1/2°

WHITING
DOOR MANUFACTURING CORP.
GENERAL OFFICE: 113 CEDAR ST. AKRON, NY, 14001
"DEVELOPER OF THE FIRST PRACTICAL ROLL-UP DOOR IN 1953"

SEA-LOK
DOORS
MET-L-WOOD

DRAWN BY METZ DATE 6/7/79 CHECKED TERRITORY

APPROVED BY DATE

TITLE	STANDARD INSTALLATION 1-1/2" TEMPGUARD & TEMPSAVER DOOR
SCALE	1/2"=1"
DWG. NO.	D-2494
REV.	M