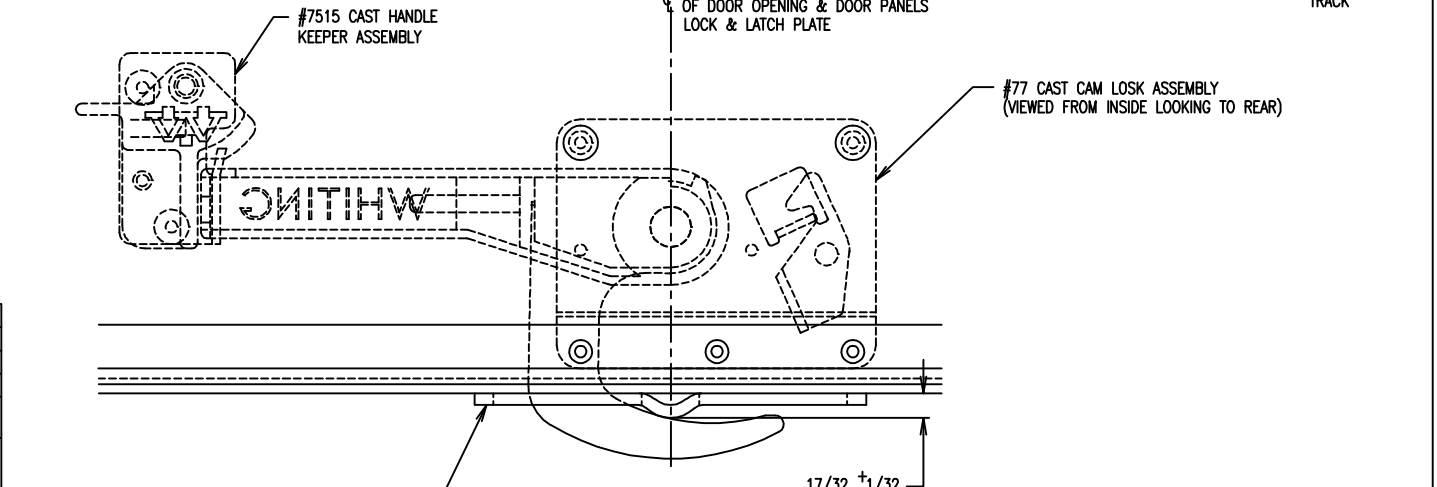
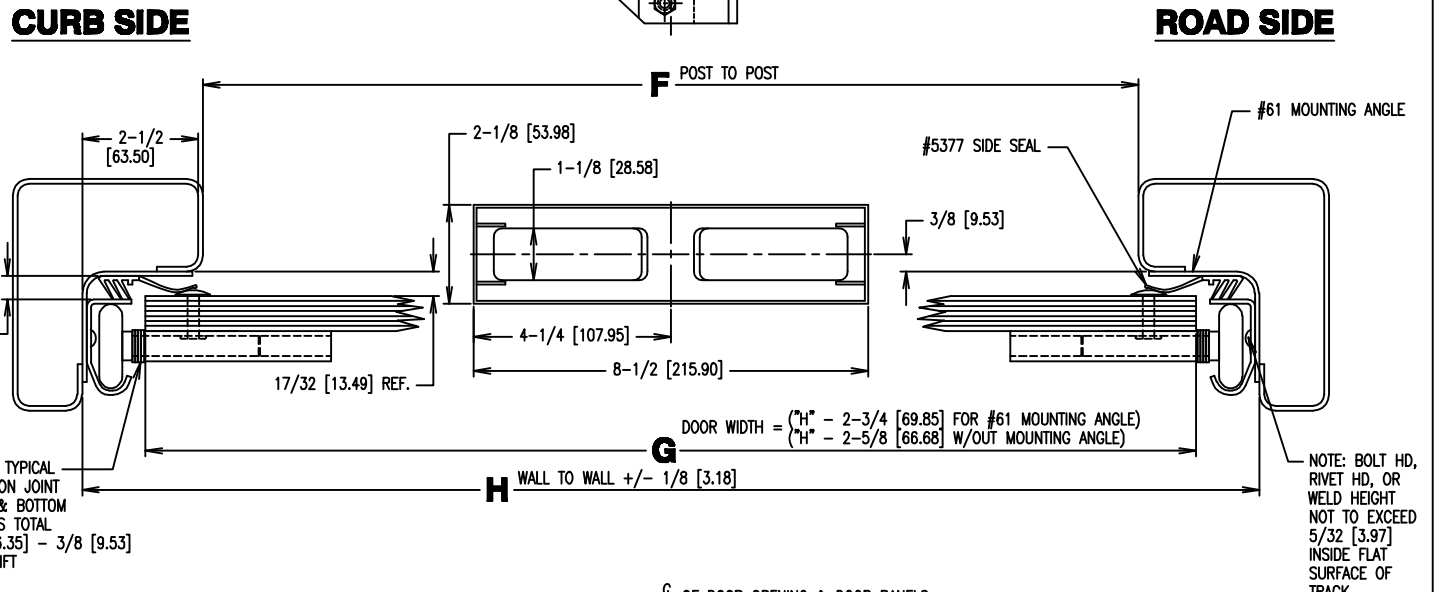
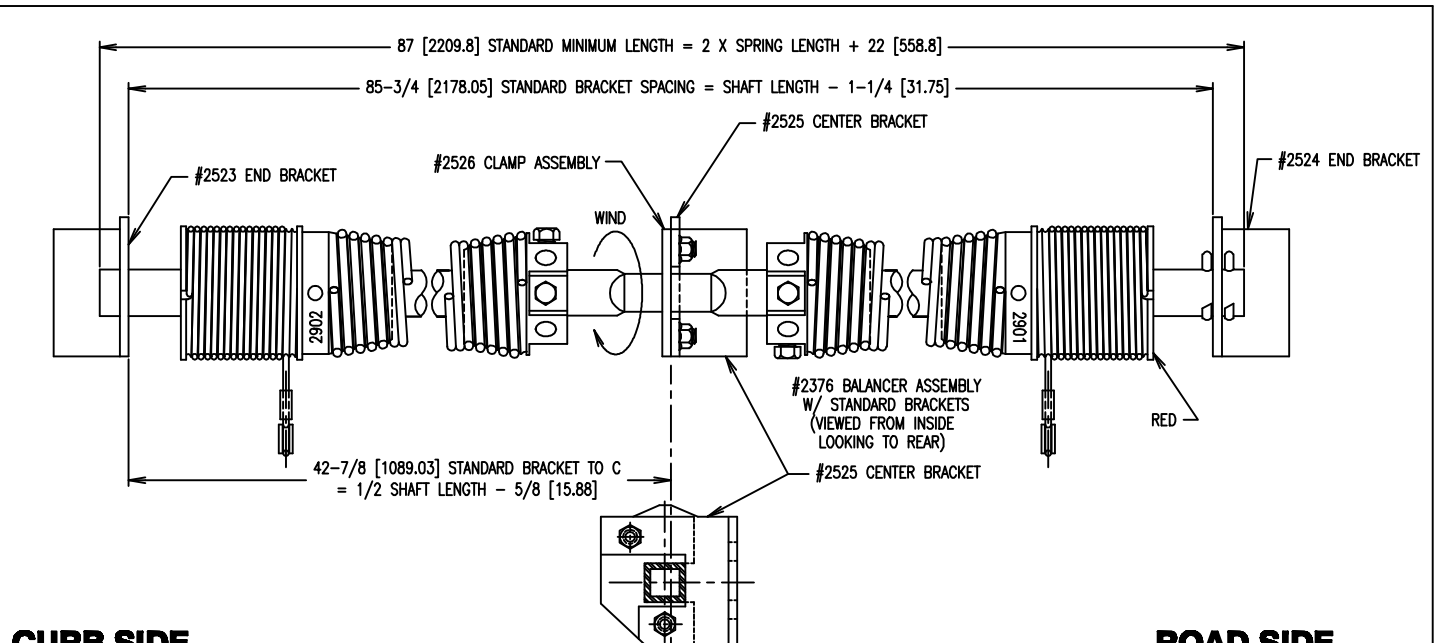


7-3/4 [196.85]	10 [254]	5 [127]	5-3/4 [146.05]						3/4 [19.05]
6-1/4 [158.75]	8 [203.2]	3-3/4 [95.25]	4-1/4 [107.95]						1-9/16 [39.69]
5-3/4 [146.05]	6 [152.4]	2-1/16 [52.39]	3-3/4 [95.25]						1-3/8 [34.93]
		MIN.	MAX.						
X	A	B	C	D	E	F	G	H	K
MINIMUM EFFECTIVE HEADER	TRACK RADIUS	HEADER TO TOP OF TRACK	SILL TO HEADER	VERTICAL TRACK	TRACK HEIGHT	POST TO POST	DOOR WIDTH	WALL TO WALL	HANG DOWN

8-1/4 [209.55]	10 [254]	6-1/4 [158.75]							0
7-13/16 [198.44]	8 [203.2]	5-13/16 [147.64]							0
7-1/8 [180.98]	6 [152.4]	5-1/8 [130.18]							0
J	A	B	C	D	E	F	G	H	K
MINIMUM HEADER W/NO HANG DOWN	TRACK RADIUS	HEADER TO TOP OF TRACK	SILL TO HEADER	VERTICAL TRACK	TRACK HEIGHT	POST TO POST	DOOR WIDTH	WALL TO WALL	HANG DOWN



NOTE: DIMENSIONS IN [] ARE MILLIMETERS
SEE D-1037 INSTALLATION FOR 5/16" TRACK SPACING
SEE D-1037-1 INSTALLATION FOR LICENCEES

TOLERANCES UNLESS OTHERWISE SPECIFIED ARE: DECIMAL ±.010 FRACTION ±1/16 ANGLES ±1/2° DO NOT SCALE DRAWING		WHITING DOOR MANUFACTURING CORP. GENERAL OFFICE: 113 CEDAR ST. AKRON, NY. 14001 "DEVELOPER OF THE FIRST PRACTICAL ROLL-UP DOOR IN 1953"	SEA-LOK DOORS METAL-WOOD	TITLE STANDARD INSTALLATION 3/4" PREMIUM DRY FREIGHT DOOR 1/2" TRACK SPACING
DATE	SIM	DESCRIPTION OF CHANGE	REV.	SCALE 1/2"=1"
DATE	APPROVED BY	DATE	TERRITORY	DWG. NO. D-1037-2